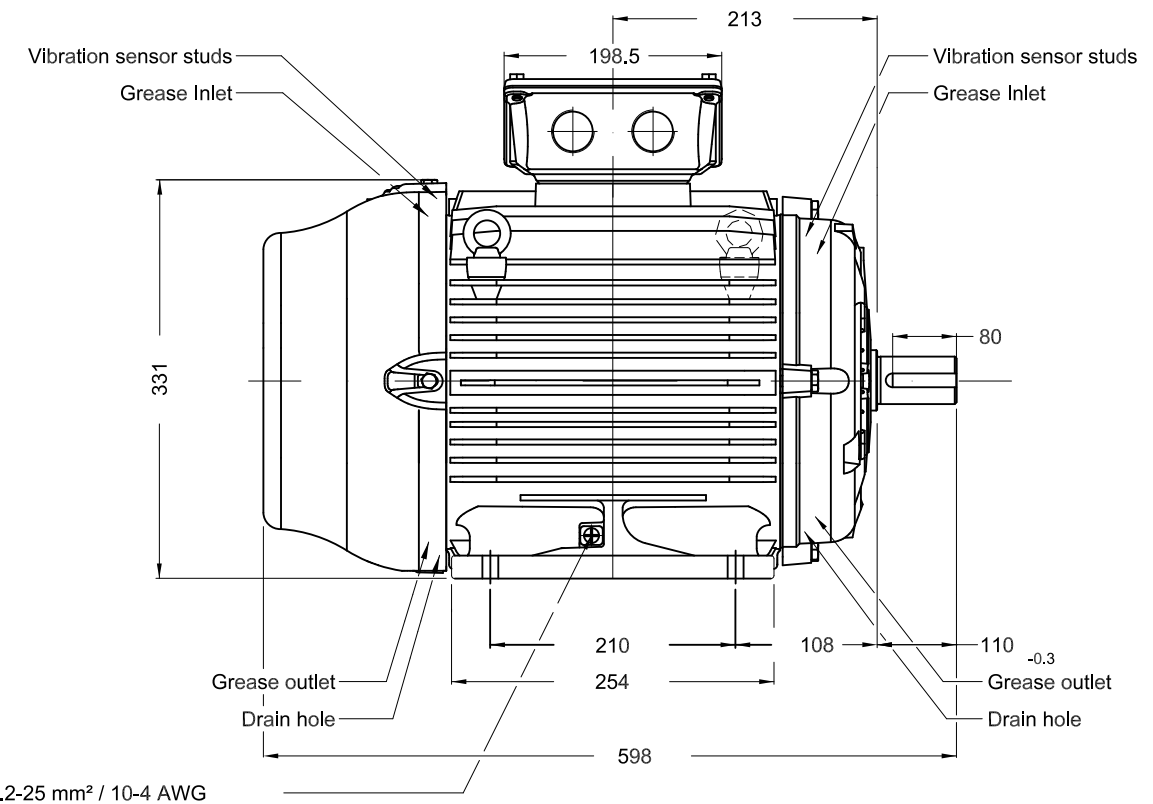
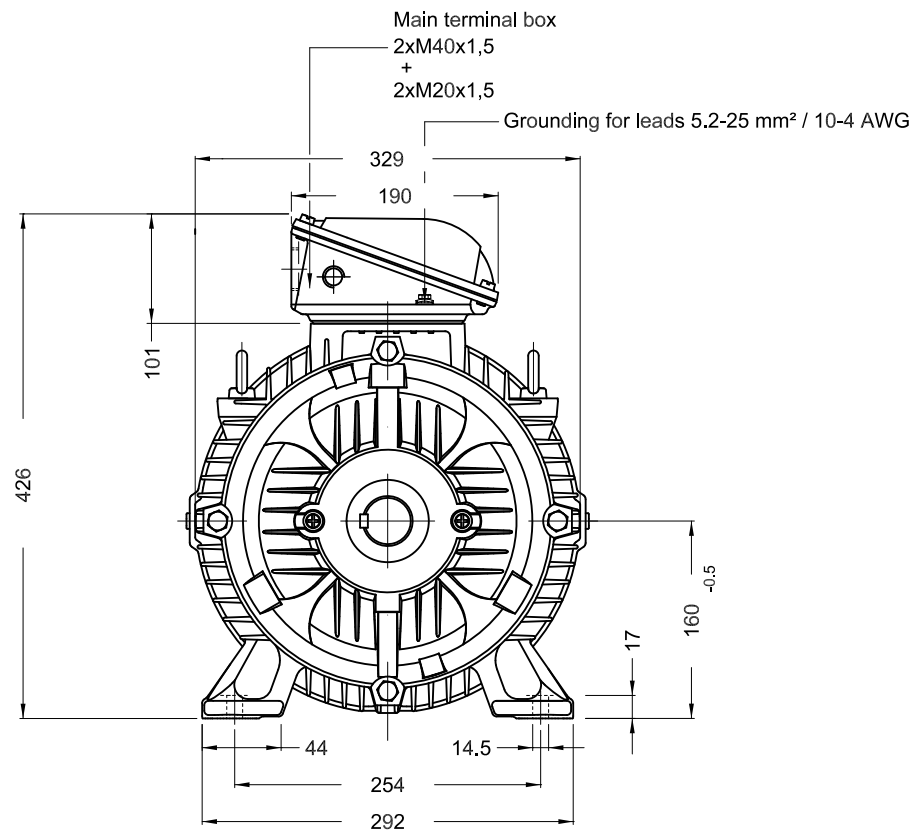


1 2 3 4 5 6

A



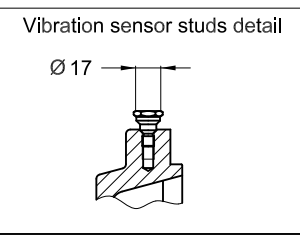
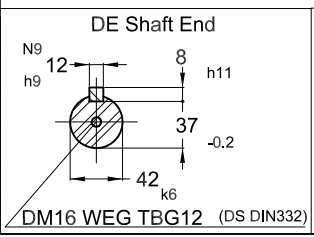
Grounding for leads 5.2-25 mm<sup>2</sup> / 10-4 AWG

D

15 kW 02 Poles 50 Hz A

QUANTUM CONTROLS

Space heaters 110-127 V / 200-240 V
With grease fitting
SPM studs
Color RAL 5009
Painting plan 202P
Mounting B3T



ECM	LOC	SUMMARY OF MODIFICATIONS	EXECUTED	CHECKED	RELEASED	DATE	VER
EXECUTED	PIRWBUSER	THREE PH. MOTOR W22 IE3					
CHECKED		FRAME 160M IP55 TEFC					
RELEASED							
REL DT.	WMO	Jaragua do Sul	Product Engineering	SHEET	1 / 1		

PREVIEW  
WDD

