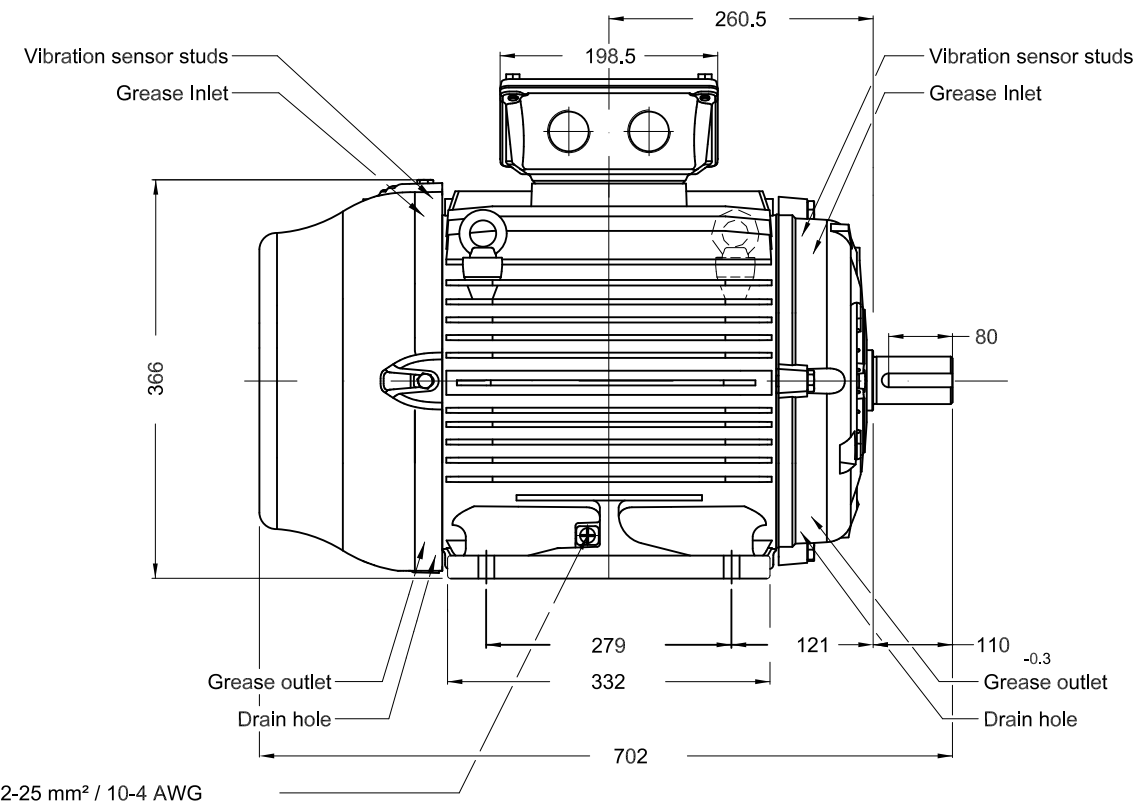
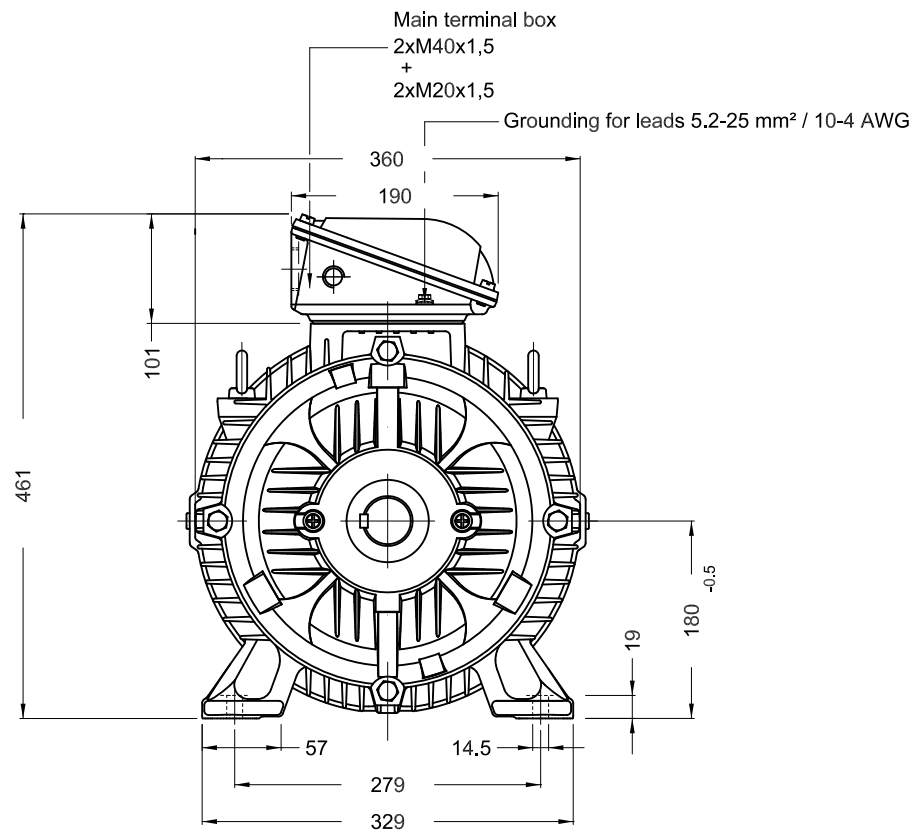


1 2 3 4 5 6

A

B

C

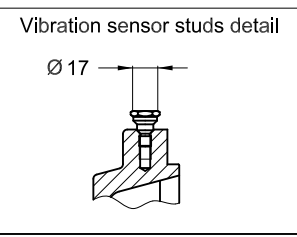
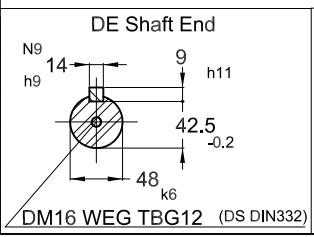


Grounding for leads 5.2-25 mm<sup>2</sup> / 10-4 AWG

D

E

Space heaters 110-127 V / 200-240 V
With grease fitting
SPM studs
Color RAL 5009
Painting plan 202P
Mounting B3T



22 kW 04 Poles 50 Hz

QUANTUM CONTROLS

ECM	LOC	SUMMARY OF MODIFICATIONS				EXECUTED	CHECKED	RELEASED	DATE	VER
EXECUTED	PIRWBUSER		THREE PH. MOTOR W22 IE3				<b>PREVIEW</b> WDD		SHEET	1 / 1
CHECKED			FRAME 180L IP55 TEFC							
RELEASED										
REL DT.			WMO	Jaragua do Sul	Product Engineering					

Dimensions in mm

XME A3