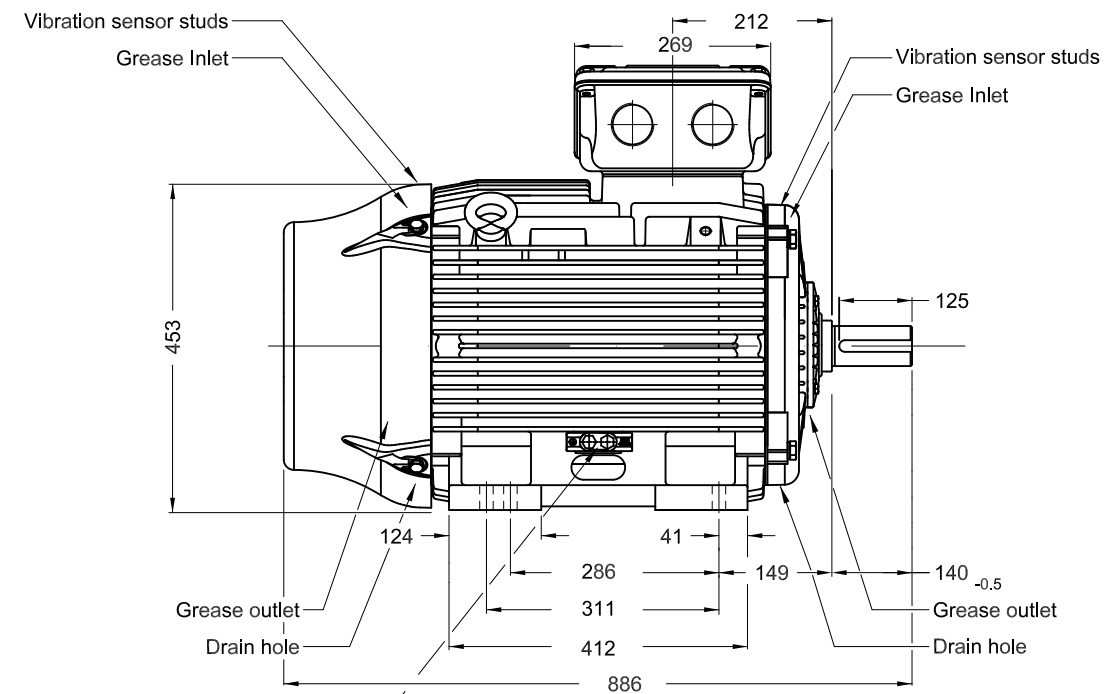
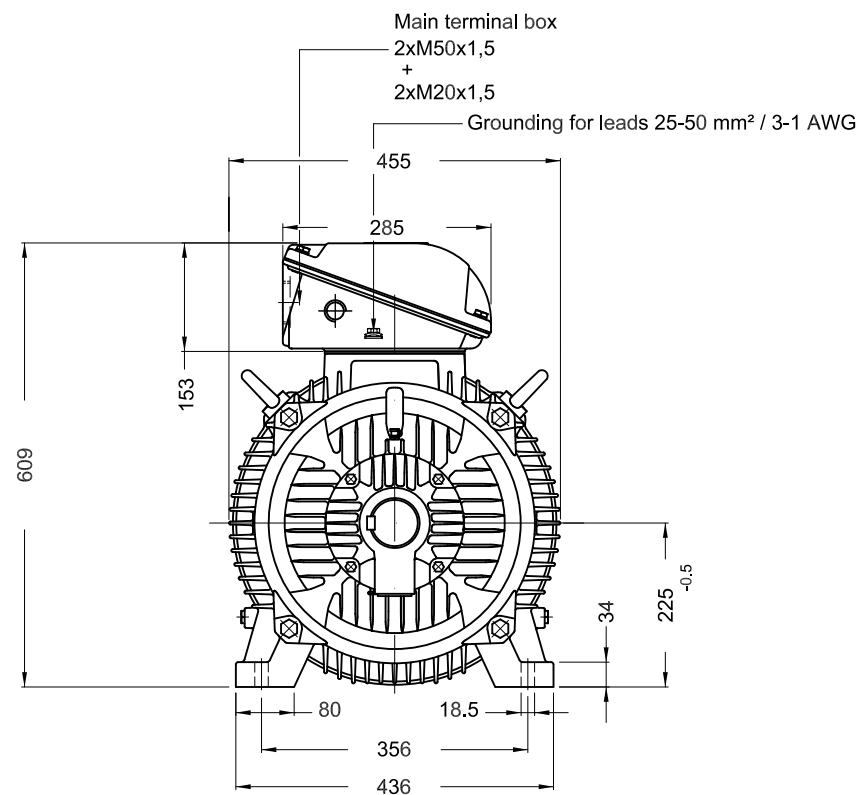


1 2 3 4 5 6

A

B

C



Grounding for leads 25-185 mm<sup>2</sup> / 3AWG-350MCM

D

E

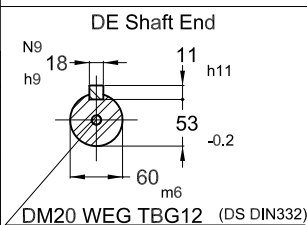
Space heaters 110-127 V / 200-240 V

SPM studs

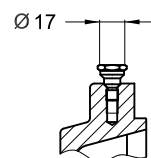
Color RAL 5009

Painting plan 202P

Mounting B3T



Vibration sensor studs detail



45 kW 04 Poles 50 Hz

A

QUANTUM CONTROLS

ECM	LOC	SUMMARY OF MODIFICATIONS	EXECUTED	CHECKED	RELEASED	DATE	VER
EXECUTED	PIRWUSER	THREE PH. MOTOR W22 IE3					
CHECKED		FRAME 225S/M IP55 TEFC					
RELEASED							
REL DT.	WMO	Jaragua do Sul	Product Engineering	SHEET	1 / 1		

PREVIEW  
WDD

