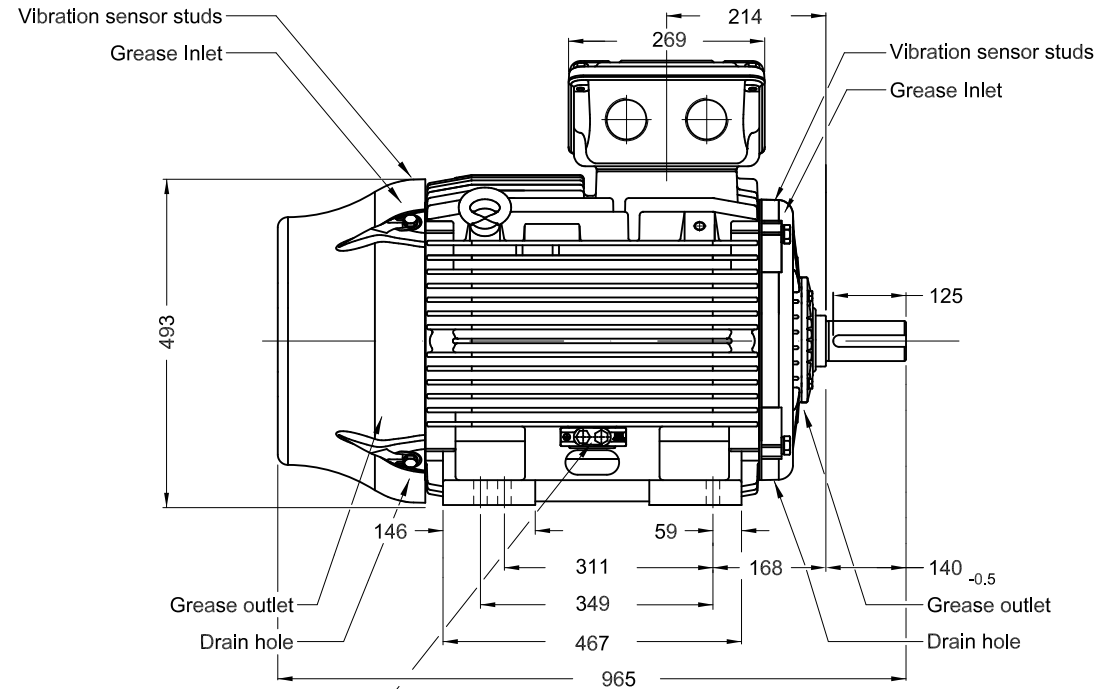
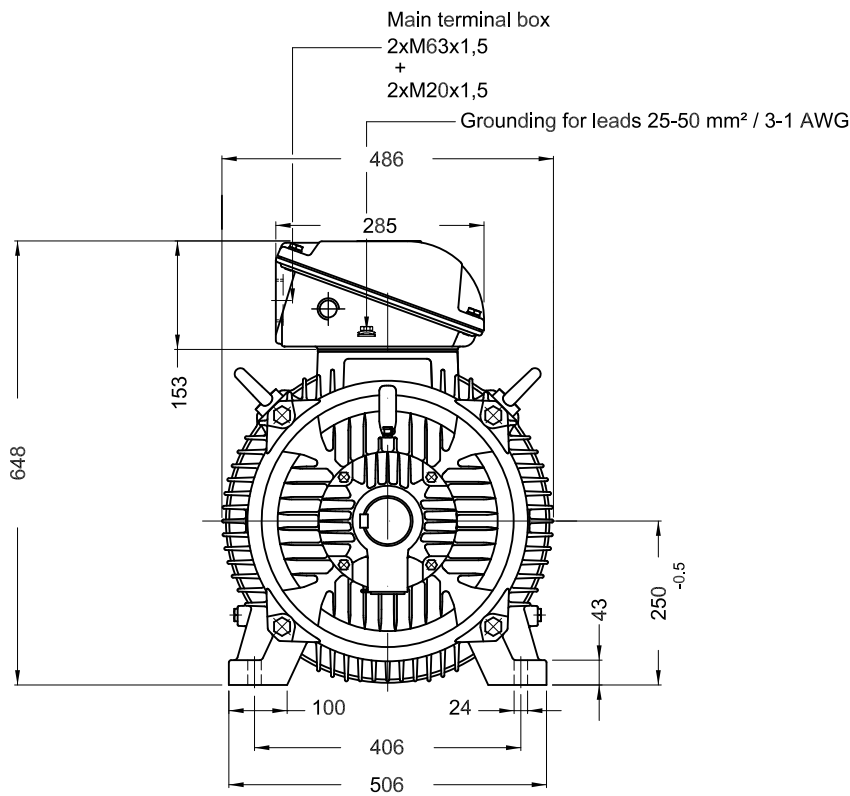


1 2 3 4 5 6

A

B

C

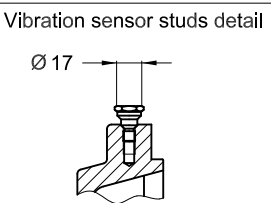
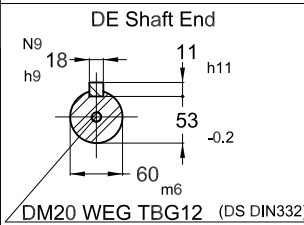


Grounding for leads 25-185 mm² / 3AWG-350MCM

D

E

Space heaters 110-127 V / 200-240 V
SPM studs
Color RAL 5009
Painting plan 202P
Mounting B3T



75 kW 02 Poles 50 Hz A

QUANTUM CONTROLS

ECM	LOC	SUMMARY OF MODIFICATIONS	EXECUTED	CHECKED	RELEASED	DATE	VER
EXECUTED	PIRWUSER	THREE PH. MOTOR W22 IE3					
CHECKED		FRAME 250S/M IP55 TEFC					
RELEASED							
REL DT.	WMO	Jaragua do Sul	Product Engineering	SHEET	1 / 1		

PREVIEW
WDD

